

### Code compliance

ICC (International Code Council) AC273

IBC (International Building Code)

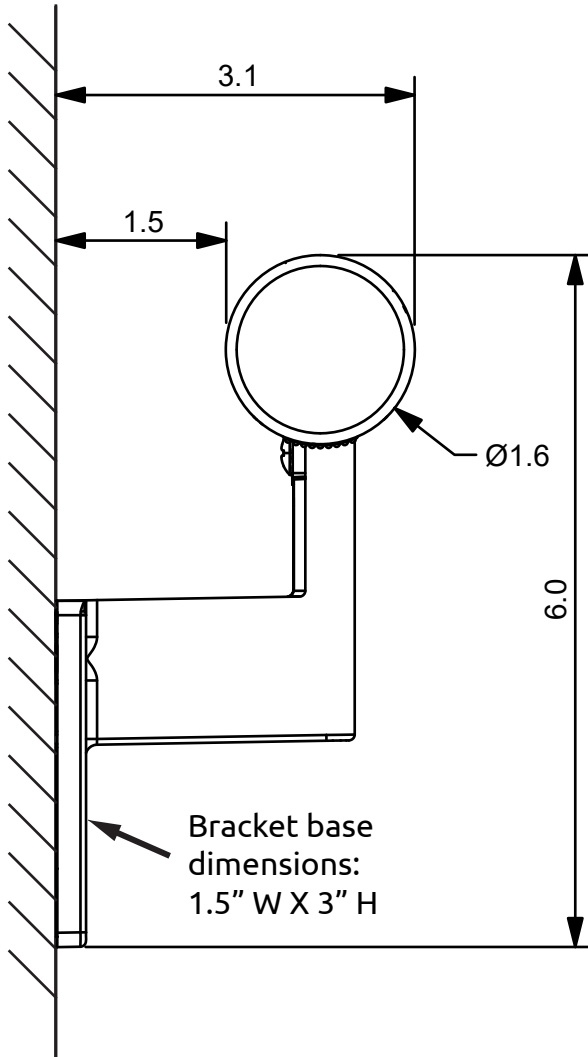
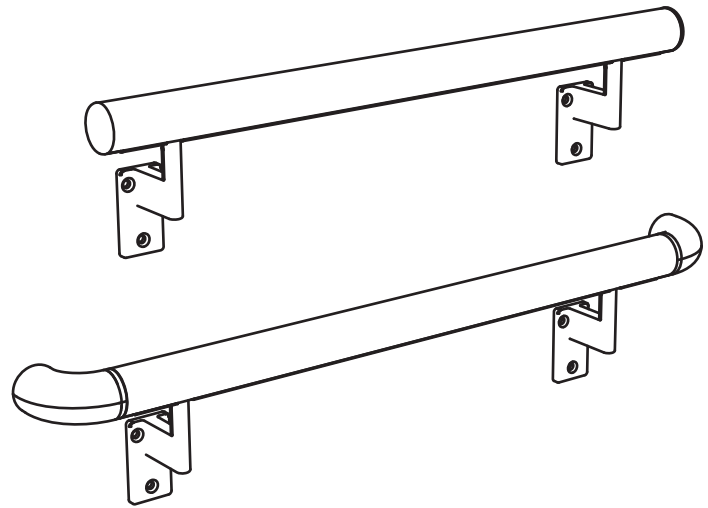
IRC (International Residential Code)

ADA (Americans with Disabilities Act)

### Load bearing per ICC AC273

Uniform load: 500 lb force

Concentrated load: 500 lb force



### Railing

Extruded aluminum, rib reinforced

Diameter: 1.6" (4 cm)

Wall thickness: 0.080" (2mm)

Finish: Anodized, 18 microns

### Brackets

Die cast zinc with rounded corners and triple-plated matte nickel, antique brass, or powder-coated paint finish.

Pivoting stainless-steel head for horizontal or angled railing installation.

### Endcaps

Die cast zinc with rounded corners and triple-plated matte nickel, antique brass, or powder-coated paint finish.

Flush-fit or 90-degree ADA wall return.

### Vinyl insert

Flexible PVC

Anti-slip and anti-bacterial.

Color-matched to handrail.