

Railing

Extruded aluminum, rib reinforced

Diameter: 1.6" (4 cm)

Wall thickness: 0.080" (2mm) nominal

Finishes: Anodized 18 microns or TrueWood™
genuine hardwood veneer wrapped 0.015" (0.4 mm)

Brackets

Die cast zinc with rounded corners

Pivoting bracket accepts up to #14 (6 mm) screws

Sprocketlock™ bracket has hidden wall screws

Durable powder-coated paint finish

Endcaps

Die cast zinc with rounded corners

Flush-fit or 90-degree ADA wall return

Durable powder-coated paint finish

Vinyl insert

Flexible PVC - anti-slip and anti-microbial.

Code compliance

ICC (International Code Council) AC273

IBC (International Building Code)

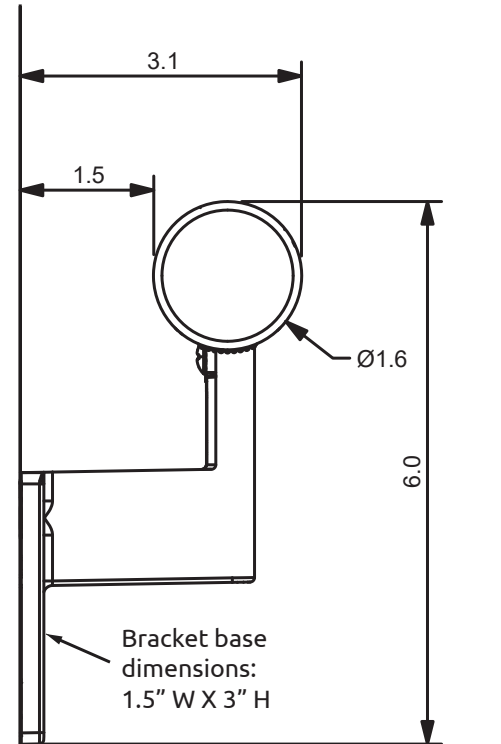
IRC (International Residential Code)

ADA (Americans with Disabilities Act)

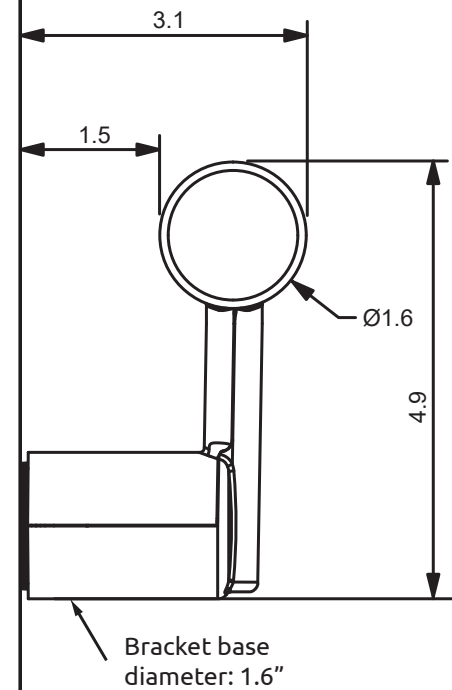
Load bearing per ICC AC273

Uniform load: 500 lb (227 kg) force

Concentrated load: 500 lb (227 kg) force



Pivoting Bracket



Sprocketlock™ Bracket