

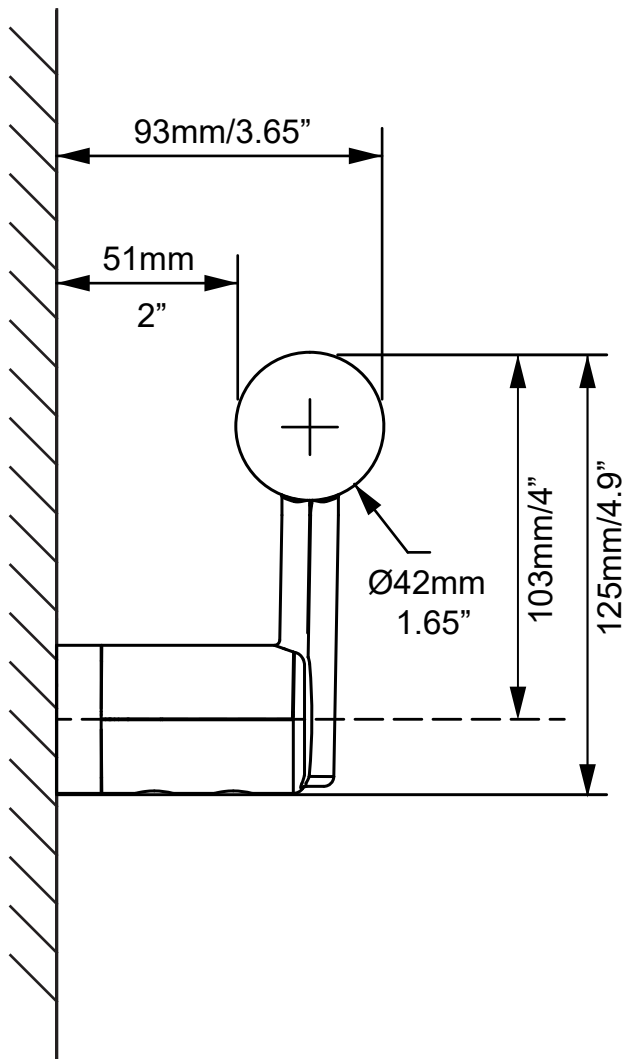
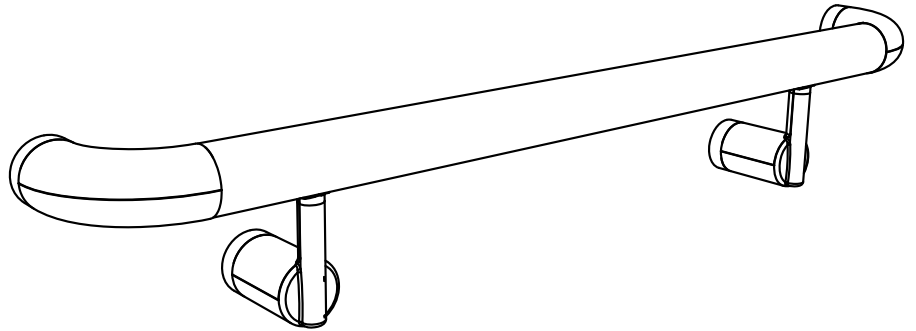
## Specifications

### Code compliance

ICC (International Code Council) AC273  
IBC (International Building Code)  
IRC (International Residential Code)  
ADA (Americans with Disabilities Act)  
National Building Code of Canada

### Load bearing per ICC AC273

Uniform load: 227 kg / 500 lbs  
Concentrated load: 227 kg / 500 lbs



### Railing

Extruded aluminium, rib reinforced  
Diameter: 42mm/1.65"  
Nominal wall thickness: 2mm/0.08"  
Finish: Anodized, 18 microns or wrapped with real wood, 0.4mm/0.015"

### Brackets

Die cast zinc with rounded corners and powder-coated or triple-plated finish. Pivoting stainless-steel head for horizontal or angled railing installation.

### Endcaps

Die cast zinc with rounded corners and powder-coated or triple-plated finish. Flush-fit or 90-degree ADA wall return.

### Vinyl insert

Flexible PVC  
Anti-slip and anti-bacterial.  
Black or champagne colour.