

SPROCKETLOCK™ T11 ADJUSTABLE 1.5" POST BASE INSTALLATION

promenaid®

PLEASE READ ALL INSTRUCTIONS CAREFULLY

For installation on a ramp or surface inclined up to 7.5 degrees, print Inclined Surface Installation Template.

What You Need

Drill (hammer drill for concrete) with bit for anchor hole, through hole, or pilot hole

Level

Socket wrench

Plastic hammer (or metal hammer and block of wood)

Miter saw with carbide-toothed blade (if required to cut tubing to custom length)

Fastener Selection

Concrete: Use one 1/2"-13 (light duty) or one 5/8"-11 (heavy duty) wedge anchor. Choose length to provide minimum 4" concrete penetration (5" preferred, follow manufacturer's recommendations) and minimum 3" protrusion.

Steel or aluminum decking: Use one 1/2"-13 (light duty) or one 5/8"-11 (heavy duty) through bolt and hex nut. Choose length to provide minimum 3" protrusion.

Wood surfaces: Ensure that wood is sufficiently strong to withstand lateral forces on post. Screw through wood surface into underlying beam or stair stringer whenever possible. Use one 1/2" lag screw. Choose length to provide minimum 4" wood penetration plus 2" for post base.

Washers: Not required with 5/8" wedge anchors. Use washer supplied with anchor only if it sits flush inside perimeter bumps on top surface of post base. Use 7/16" nominal flat washers or 1/2" structural washers with 1/2" fasteners so washers fit flush inside bumps. Washers and/or lockwashers may be employed with through bolts on underside of decking.

Hot dipped galvanized steel or stainless-steel fasteners recommended for outdoor applications.

Measuring and Planning

Locate center of post base minimum 4" from edge of concrete. Recommended post spacing is 4' on centers.

Installation

Mark center of post base on surface and drill hole vertically downward. Concrete wedge anchor: follow manufacturer's instructions for anchor hole. Through-bolt: Drill hole slightly larger than bolt diameter. 1/2" lag screw: drill pilot hole with 1/4" bit for very soft wood, 5/16" bit for most structural wood, or 3/8" for very hard wood. Pilot hole should be sized so that installing the screw requires substantial force, but wood is not in danger of splitting.

Turn post base upside down and rotate the two pieces so that the correct slope appears in the small view window. For horizontal surfaces, select 0 degrees. For inclined surfaces, select the desired slope, e.g. 1:12 for a standard 1" per foot (4.8 degree) ramp.

Inclined surfaces: Place the Inclined Surface Installation Template on the ground over the anchor hole and align it so that the arrow is pointing down the slope. Place the two-piece post base assembly on the template and turn the assembly so that the weep hole on the bottom piece is aligned with the arrow corresponding to the slope you selected.

There are six lobes on the central portion of the top piece. Three of the lobes have slightly raised surfaces. Use a level to check that all three of the raised surfaces are vertical. Rotate the entire assembly to compensate for an uneven surface that has the selected slope. Reset the slope and repeat the previous step if necessary to adjust for a different slope.

Install the central fastener and tighten temporarily. Recheck the three raised surfaces on the central lobes to ensure that they are still vertical. Tighten the fastener securely, following the manufacturer's torque recommendations where applicable.

Cut post tubing to desired length with a miter saw. On horizontal surfaces, tubing length will typically be 4" less than the distance from the floor to the top surface of the horizontal railing. On inclined surfaces or stairs, adjustments must be made to the length to compensate for post position and the added height of bends installed between the post and the railing. MEASURE CAREFULLY - Once installed on the post base, the tubing cannot be removed.

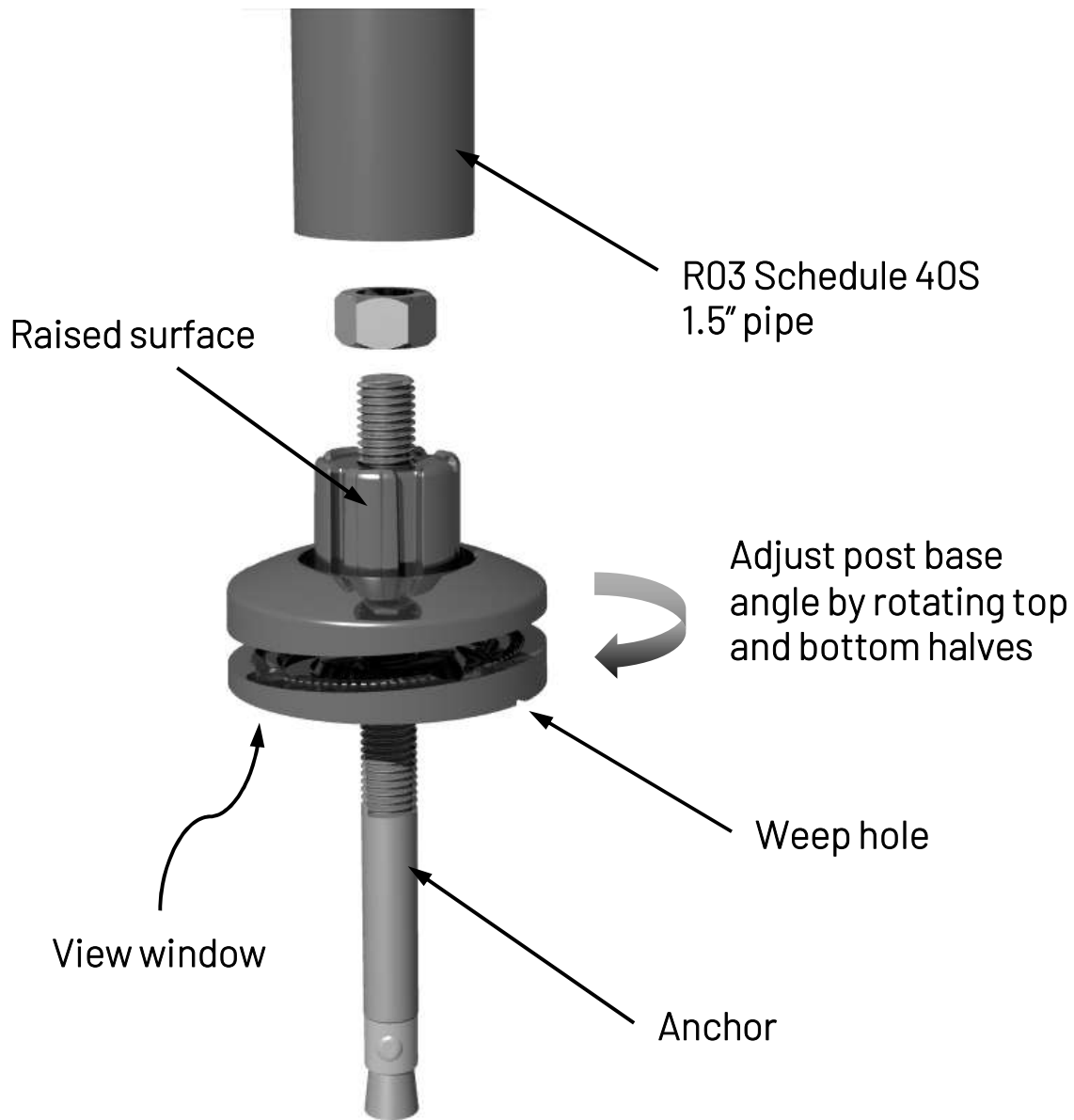
When you are 100% certain that the length is correct, tap the post tubing permanently onto the post base. Use a plastic hammer or a metal hammer with a piece of wood held on the top of the tubing to protect it. Tap straight down with medium force, until the tubing descends 1/4" into the circular depression around the central lobes. You will feel the resistance and hear the sound of the tapping change when the tubing is fully seated.

Problems? Call 888-992-4943

Promenaid® products are guaranteed for five years against all manufacturing defects.
Installation must be performed by qualified personnel.

SPROCKETLOCK™ T11 ADJUSTABLE 1.5" POST BASE INSTALLATION

promenaid®

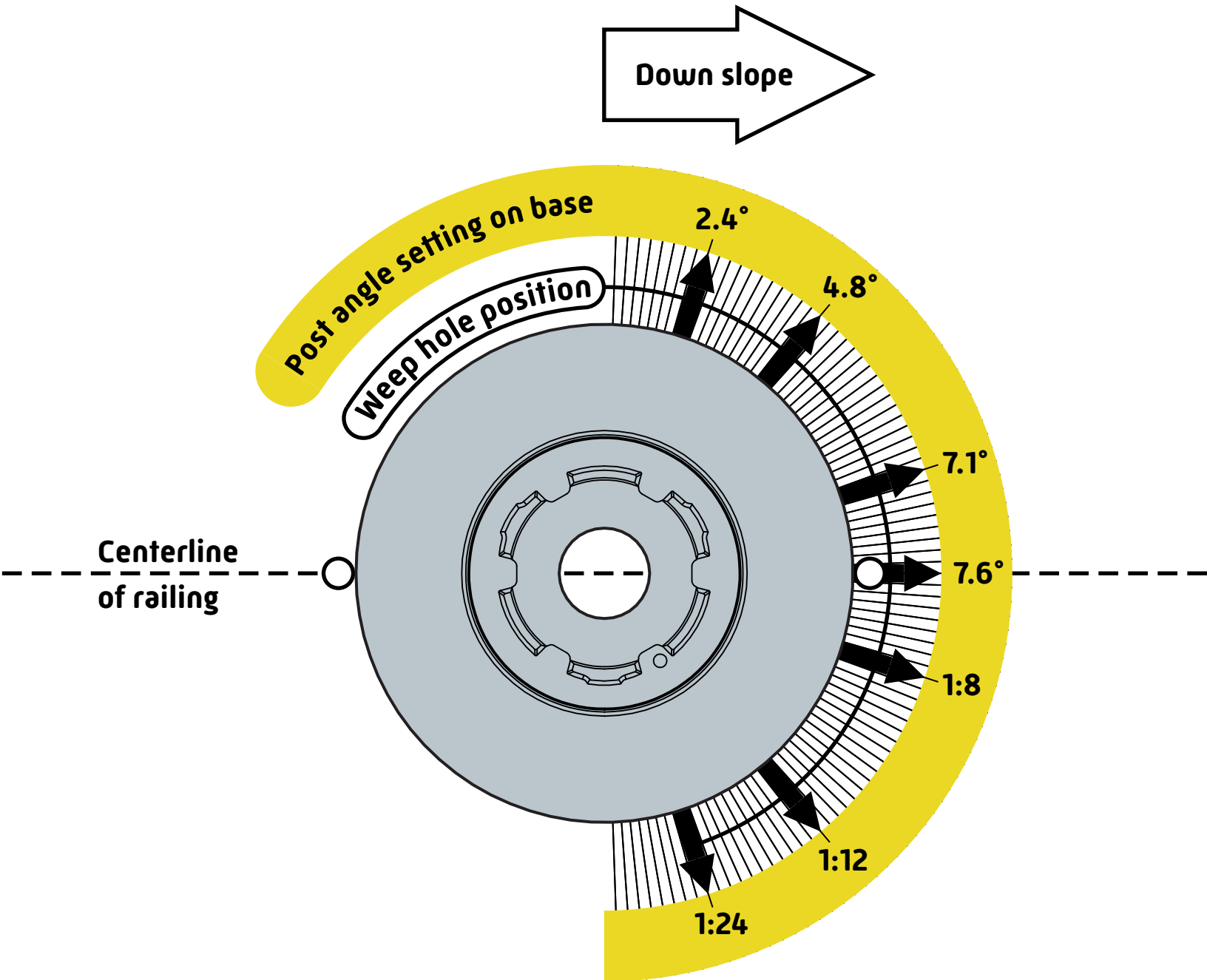


Problems? Call 888-992-4943

Promenaid® products are guaranteed for five years against all manufacturing defects.
Installation must be performed by qualified personnel.

T11 POST BASE INCLINED SURFACE INSTALLATION TEMPLATE

promenaid®



Problems? Call 888-992-4943

Promenaid® handrails and grab bars are guaranteed for five years against all manufacturing defects. Installation must be performed by qualified personnel.

Promenaid® handrails are guaranteed for one year against all manufacturing defects.